

8

7

6

5

4

3

2

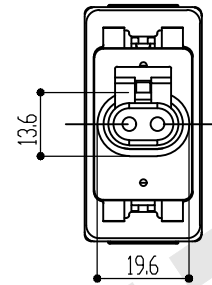
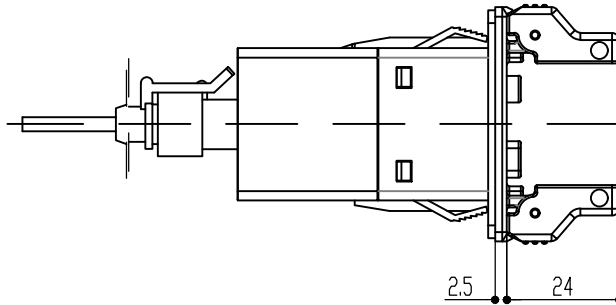
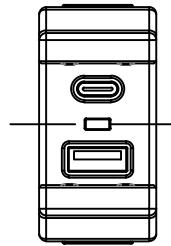
1

F

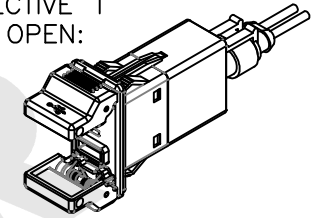
E

F

E



PERSPECTIVE 1
COVER OPEN:

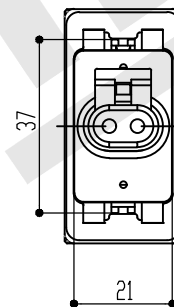
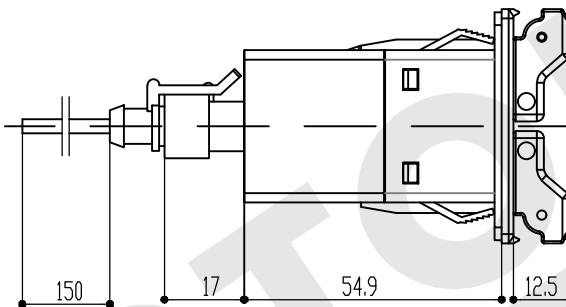
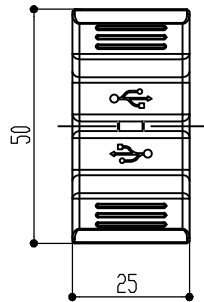


D

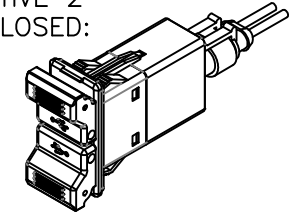
C

D

C



PERSPECTIVE 2
COVER CLOSED:



Electrical

- Number of USB Ports: 2
- USB: 1*Type-a, 1*Type-c
- Nominal Voltage: 12V / 24V DC
- Operating Voltage: 12V / 30V DC(max)
- Peak Voltage: 32V DC(max)(3~4sec.)
- Input: 12V
- Type-a output: 3.6~12V 0.2V Ascending (Max: 36W)
- Type-c output: 5V / 3A, 9V / 3A, 12V / 3A (Max: 36W)
- (Type-a+Type-c)output: (5V 2.1A+5V 2.1A)
- Input: 24V
- Type-a output: 3.6~12V 0.2V Ascending (Max: 36W)
- Type-c output: 5V / 3A, 9V / 3A, 12V / 3A
- (Type-a+Type-c)output: (5V 2.1A+5V 2.1A)

- Operating Frequency: 100~150Khz
- Current Draw: Quiescent current: 20 mA
- Life: 5000 operating cycles
- Sealing: IP65
- Terminals: Connector (TE 282104-1)
- Operating Temperature: -20°C ~ +60°C
- Panel Opening: 21.2mm x 37.2mm
- Over voltage protection: Yes
- Over current protection: Yes
- Over Temperature protection: Yes
- Short circuit protection: Yes
- Reverse polarity protection: Yes

pos.	ind.	kind of modification	date	name

MOTOMETER	date	22.11.2023
	sig.	S.Mueller
	rev.	
	pass.	13.12.23 K.Fritz

customer number:

description:
USB-C Charger Dust Covered
12V/24V DC, double out, USB / USB-C

scale: - drawing number:
731 001 1012_S

8

7

6

5

4

3

2

1

A

A